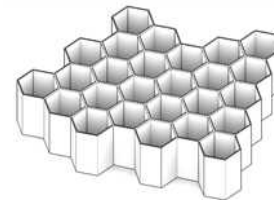
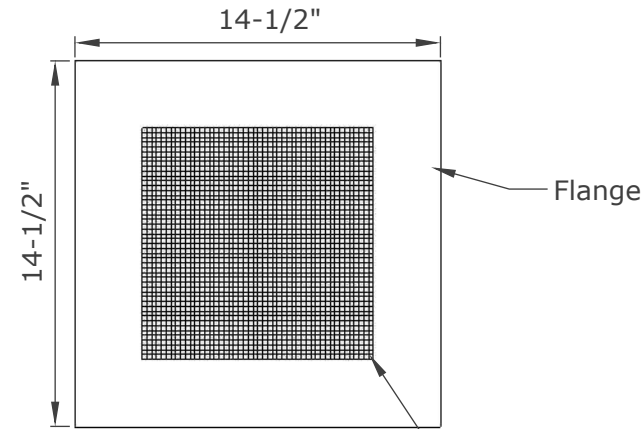


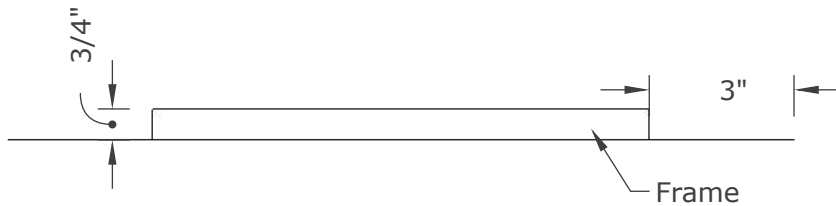
TOP VIEW



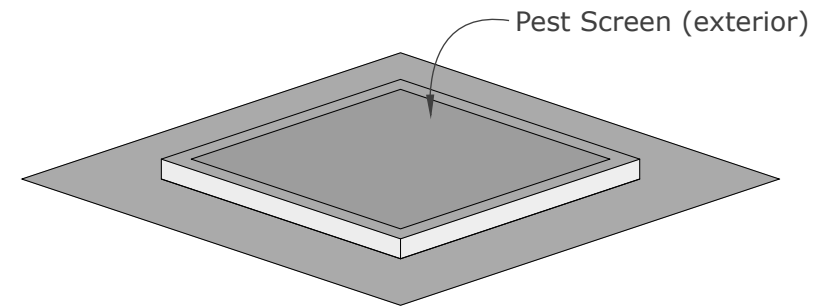
Intumescent Core



BOTTOM VIEW



SIDE VIEW



ISOMETRIC VIEW

**VSB8585 PRODUCT SPECIFICATION & DATA SHEET**

Proudly Manufactured By: **NEW CAL METALS INC.**

www.newcalmetals.com

Model Description	<b>Sub Base Vent</b>	Flange Type	<b>Standard</b>	Frame & Flange	<b>G90 Galvanized Steel - 26GA</b>
Model Number	<b>VSB8585</b>	NFVA	<b>54 sq. in.</b>	Intumescent Core	<b>5mm Hexagonal Matrix - Aluminum with intumescent coating</b>
Model Size	<b>8-1/2" x 8-1/2"</b>			Ember Mesh	<b>14 Mesh - 304 Stainless Steel (Faces interior)</b>
				Pest Screen	<b>Galvanized Steel Screen - 1/8" (Faces exterior)</b>

