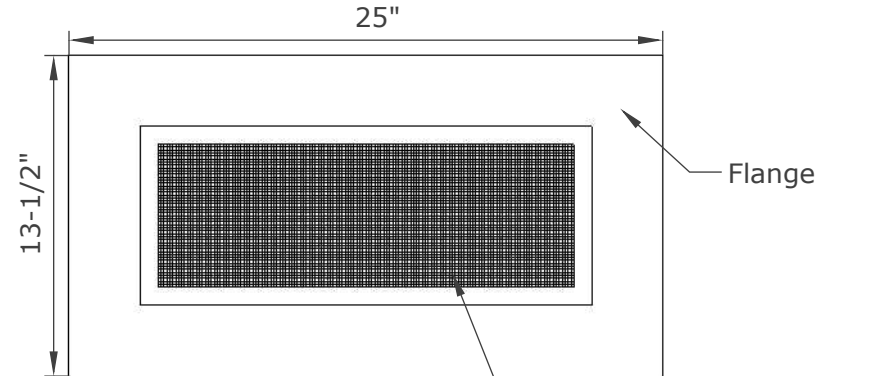
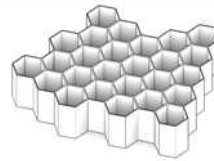


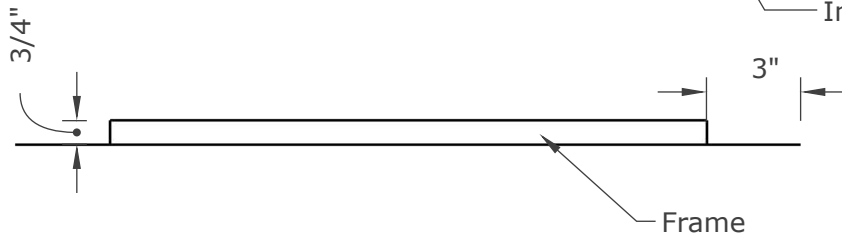
TOP VIEW



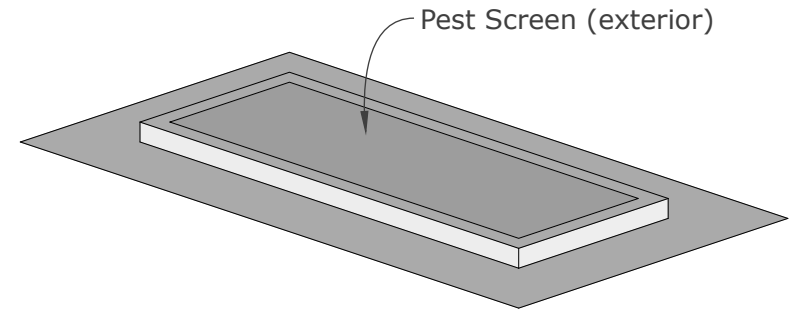
BOTTOM VIEW



Intumescent Core



SIDE VIEW



ISOMETRIC VIEW

VSB7519 PRODUCT SPECIFICATION & DATA SHEET

Proudly Manufactured By: **NEW CAL METALS INC.**

www.newcalmetals.com

Model Description | **Sub Base Vent**
 Model Number | **VSB7519**
 Model Size | **7-1/2" x 19"**

Flange Type | **3" Flange**
 NFVA | **108 sq. in.**

Frame & Flange | **G90 Galvanized Steel - 26GA**
 Intumescent Core | **5mm Hexagonal Matrix - Aluminum with intumescent coating**
 Ember Mesh | **14 Mesh - 304 Stainless Steel (Faces interior)**
 Pest Screen | **Galvanized Steel Screen - 1/8" (Faces exterior)**

