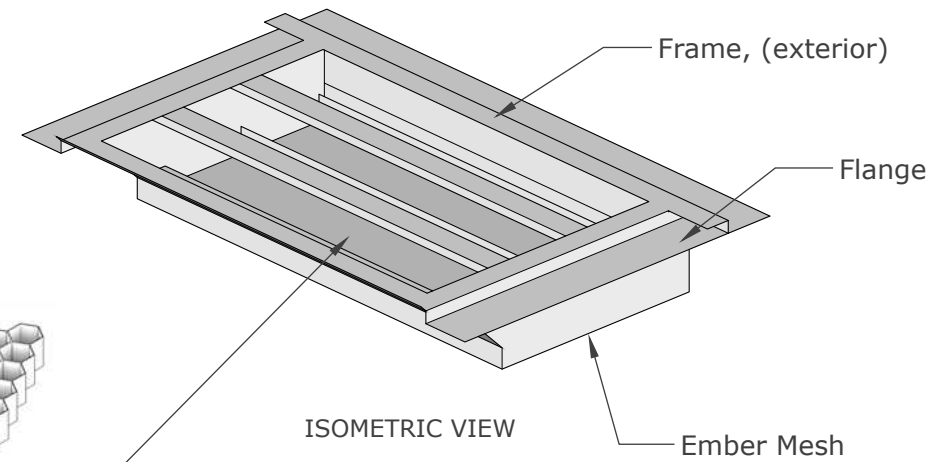
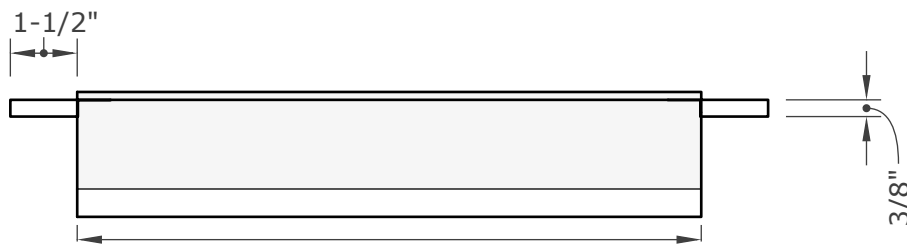


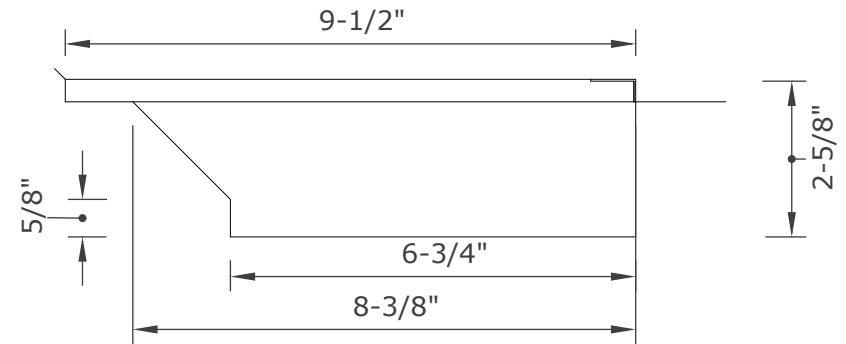
TOP VIEW



ISOMETRIC VIEW



END VIEW



END VIEW

VG148FC PRODUCT SPECIFICATION & DATA SHEET

Proudly Manufactured By: www.newcalmetals.com

Model Description	Gable Vent	Flange Type	Fiber Cement	Frame & Flange	G90 Galvanized Steel - 26GA
Model Number	VG148FC	NFVA	29 sq. in.	Intumescent Core	5mm Hexagonal Matrix - Aluminum with intumescent coating
Model Size	13-5/8" x 9-1/2"			Ember Mesh	14 Mesh - 304 Stainless Steel

