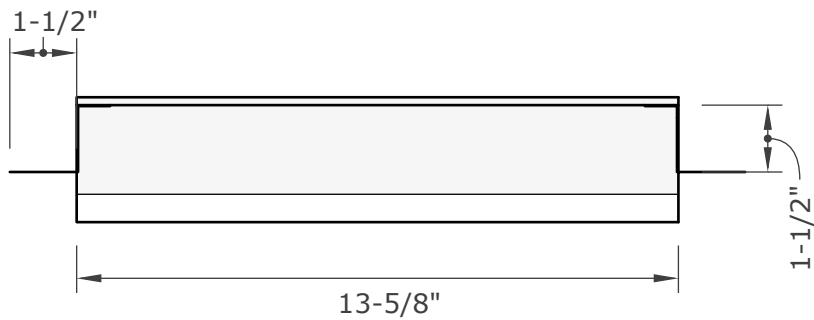
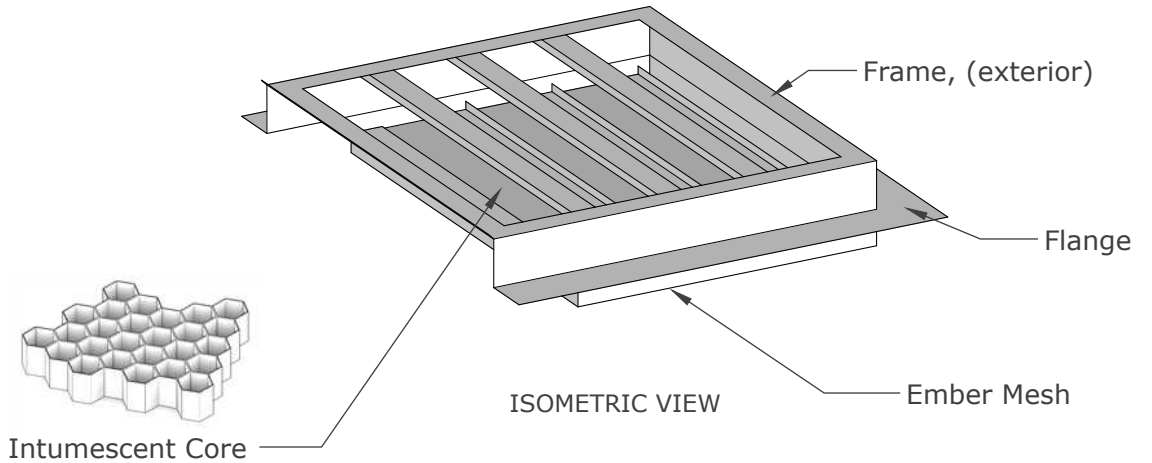


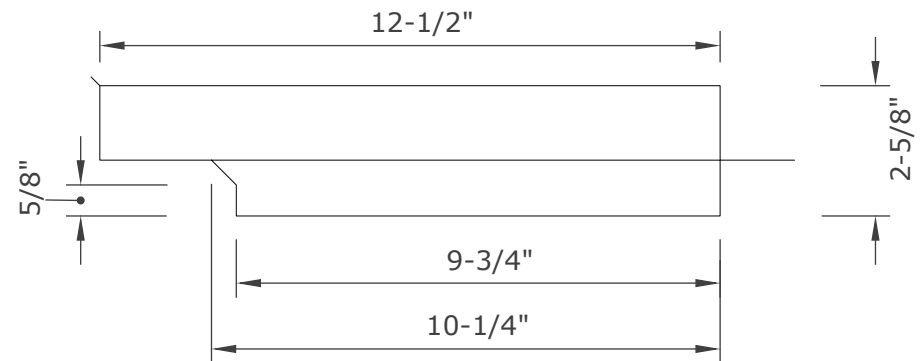
TOP VIEW



END VIEW



ISOMETRIC VIEW



SIDE VIEW

VG1412FB PRODUCT SPECIFICATION & DATA SHEET

Proudly Manufactured By: **NEW CAL METALS INC.**

www.newcalmetals.com

Model Description	Gable Vent	Flange Type	Foam Back	Frame & Flange	G90 Galvanized Steel - 26GA
Model Number	VG1412FB	NFVA	58 sq. in.	Intumescent Core	5mm Hexagonal Matrix - Aluminum with intumescent coating
Model Size	13-5/8" x 12-1/2"			Ember Mesh	14 Mesh - 304 Stainless Steel

