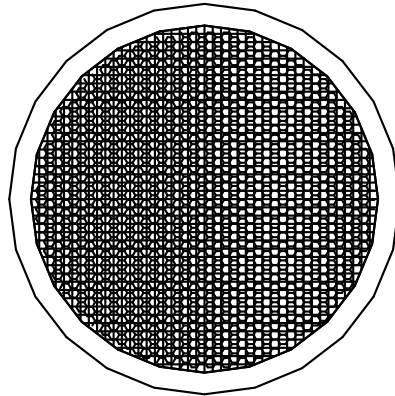


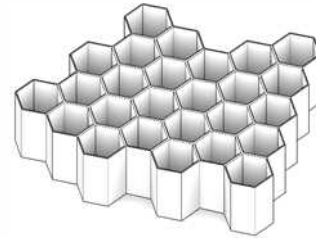
Approved for use in the Wildland Urban Interface (W.U.I.)

Chapter 7A compliant: Tested and listed to ASTM E2886.
ICC-ESL listing: 1300. OSFM-**BML** Listing: 8165-2192-0500.

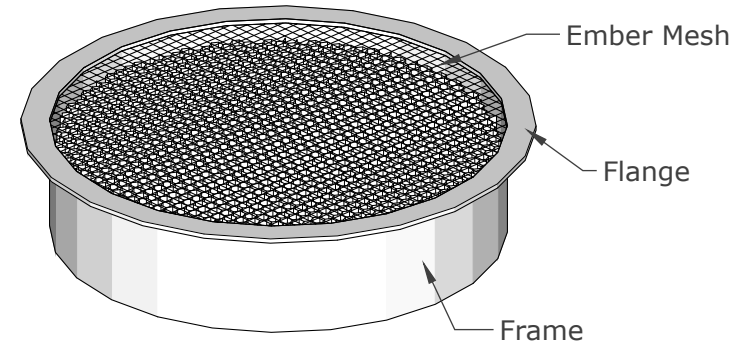
WWW.VULCANVENTS.COM (916) 652-7424 info@newcalmetals.com P.O. Box 1126 Loomis, CA. 95650



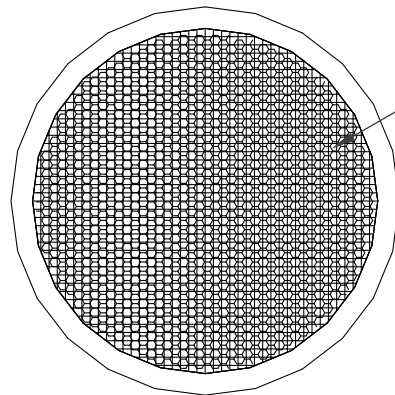
TOP VIEW



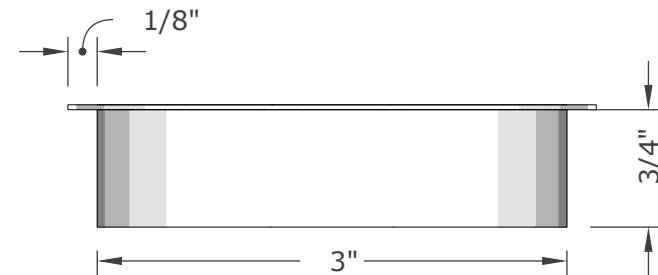
Intumescent Core



ISOMETRIC VIEWS



END VIEW



SIDE VIEW

VER3M PRODUCT SPECIFICATION & DATA SHEET

Proudly Manufactured By:  **NEW CAL METALS INC.**

www.newcalmetals.com

Model Description | **Round Eave Vent**
Model Number | **VER3M**
Model Size | **3" x 3"**

Flange Type | **Standard**
Face Type | **Mesh**
NFVA | **4 sq. in.**

Frame & Flange | **Aluminum - 9020**
Intumescent Core | **5mm Hexagonal Matrix - Aluminum with intumescent coating**

Aluminum - 9020
5mm Hexagonal Matrix - Aluminum with intumescent coating

