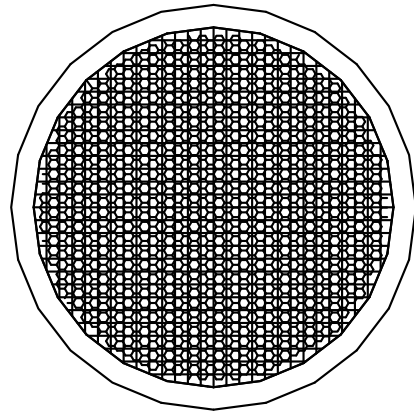


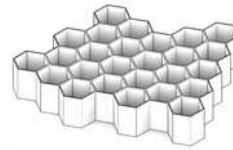
Approved for use in the Wildland Urban Interface (W.U.I.)

Chapter 7A compliant: Tested and listed to ASTM E2886.
ICC-ESL listing: 1300. OSFM-**BML** Listing: 8165-2192-0500.

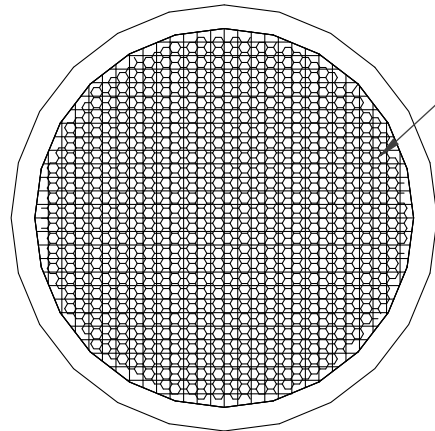
WWW.VULCANVENTS.COM (916) 652-7424 info@newcalmetals.com P.O. Box 1126 Loomis, CA. 95650



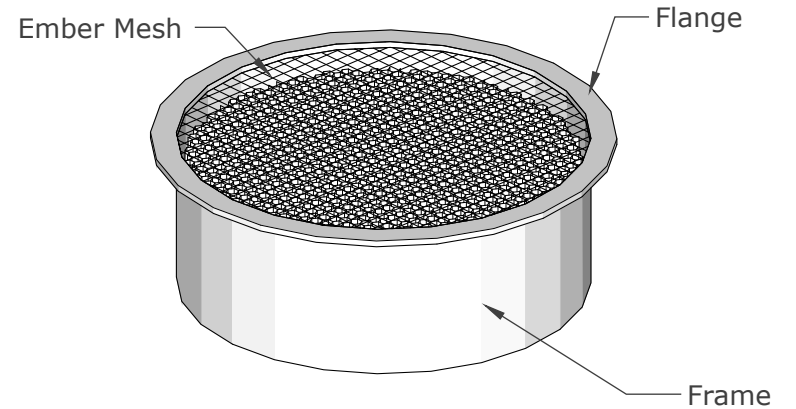
TOP VIEW



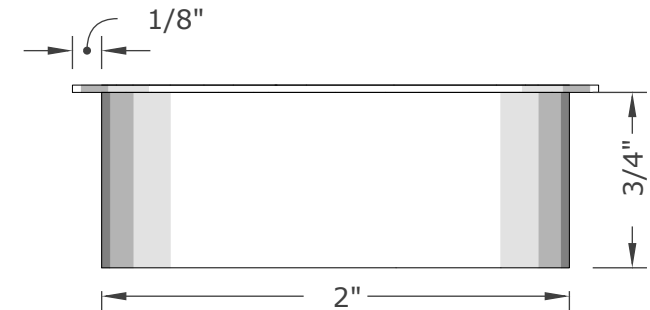
Intumescent Core



BOTTOM VIEW



ISOMETRIC VIEW



SIDE VIEW

VER2M PRODUCT SPECIFICATION & DATA SHEET

Proudly Manufactured By:  **NEW CAL METALS INC.**

www.newcalmetals.com

Model Description | **Round Eave Vent**
Model Number | **VER2M**
Model Size | **2" x 2"**

Flange Type | **Standard**
Face Type | **Mesh**
NFVA | **2 sq. in.**

Frame & Flange | **Aluminum - 9020**
Intumescent Core | **5mm Hexagonal Matrix - Aluminum with intumescent coating**

