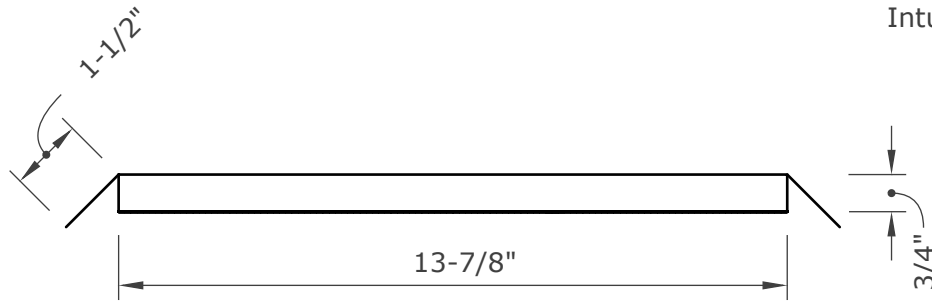
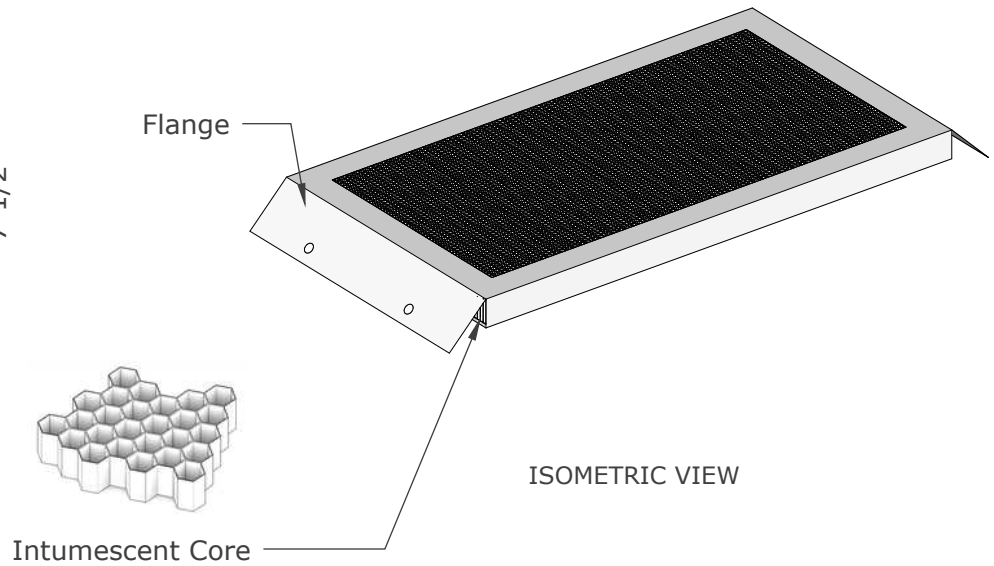


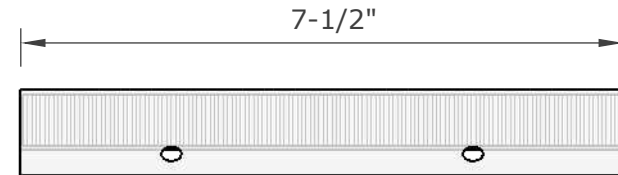
TOP VIEW



SIDE VIEW



ISOMETRIC VIEW



END VIEW (X-Ray)

VE7514RT PRODUCT SPECIFICATION & DATA SHEET

Proudly Manufactured By: **NEW CAL METALS INC.**

www.newcalmetals.com

Model Description | **Eave Vent**
Model Number | **VE7514RT**
Model Size | **13-7/8" x 7-1/2"**

Flange Type | **Reverse Tab**
NFVA | **75 sq. in.**

Frame & Flange
Intumescent Core
Ember Mesh
Pest Screen

G90 Galvanized Steel - 26GA
5mm Hexagonal Matrix - Aluminum with intumescent coating
14 Mesh - 304 Stainless Steel (Faces interior)
Galvanized Steel Screen - 1/8" (Faces exterior)

