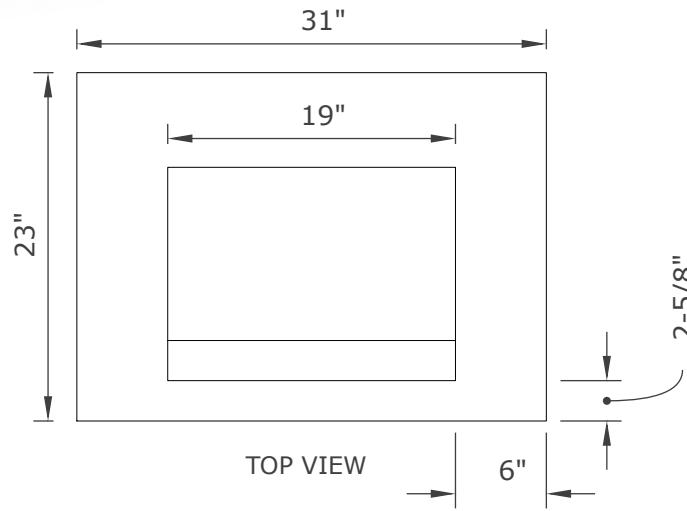


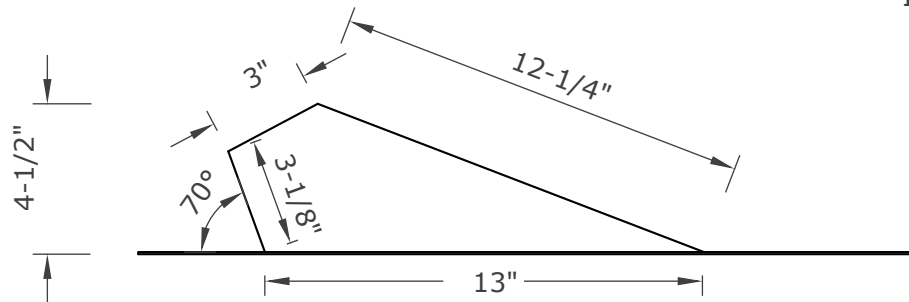
Approved for use in the Wildland Urban Interface (W.U.I.)

Chapter 7A compliant: Tested and listed to ASTM2886. **ICC-ESL** listing: 1300

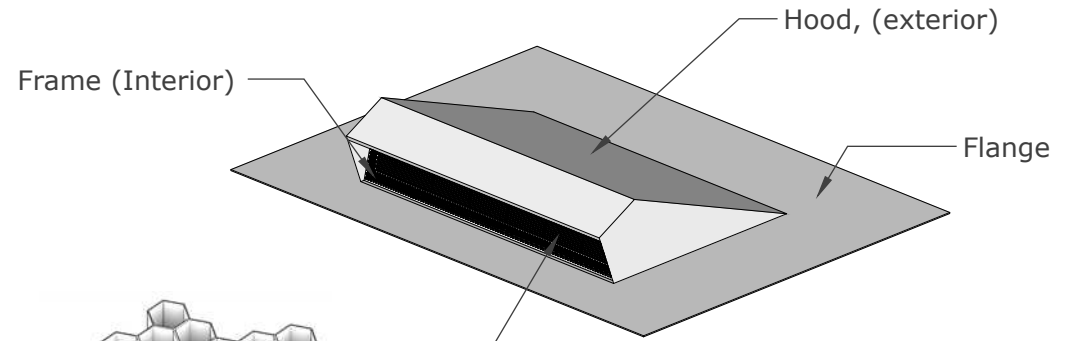
WWW.VULCANVENTS.COM (916) 652-7424 info@newcalmetals.com P.O. Box 1126 Loomis, CA. 95650



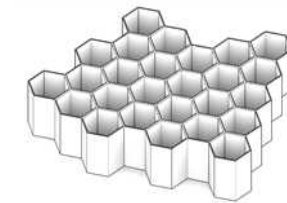
TOP VIEW



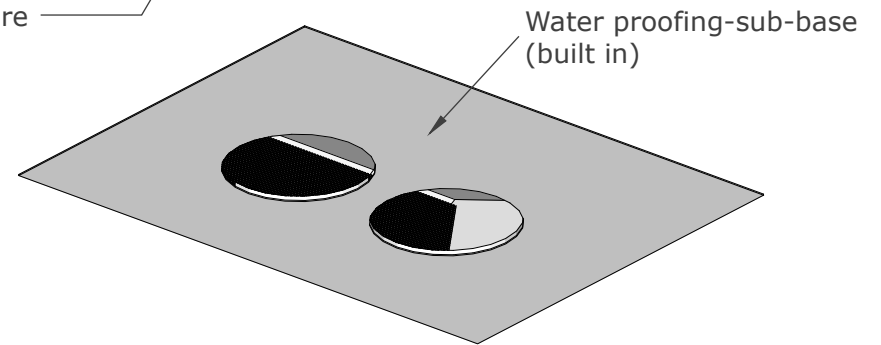
SIDE VIEW



ISOMETRIC VIEW (TOP)



Intumescent Core



ISOMETRIC VIEW (BOTTOM)

INSTALL NOTE ¹

*Min roof pitch 2/12

VDLR419 PRODUCT SPECIFICATION & DATA SHEET

Proudly Manufactured By: NEW CAL METALS INC.

www.newcalmetals.com

Model Description	Standard Dormer Vent	Flange Type	Sub Base	Hood & Flange	G90 Galvanized Steel - 26GA
Model Number	VDLR419	NFVA	52 sq. in.	Frame (Int)	G90 Galvanized Perforated Steel - 24GA
Model Size	4-1/2" x 19"			Intumescent Core	5mm Hexagonal Matrix - Aluminum with intumescent coating
				Ember Mesh	14 Mesh - 304 Stainless Steel

