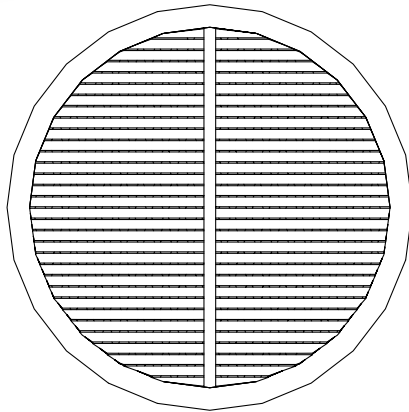


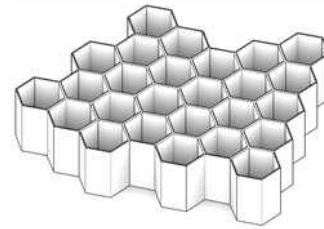
Approved for use in the Wildland Urban Interface (W.U.I.)

Chapter 7A compliant: Tested and listed to ASTM E2886.
ICC-ESL listing: 1300. OSFM-**BML** Listing: 8165-2192-0500.

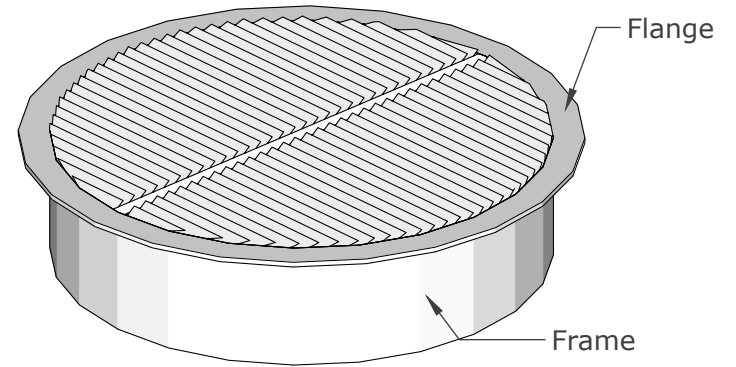
WWW.VULCANVENTS.COM (916) 652-7424 info@newcalmetals.com P.O. Box 1126 Loomis, CA. 95650



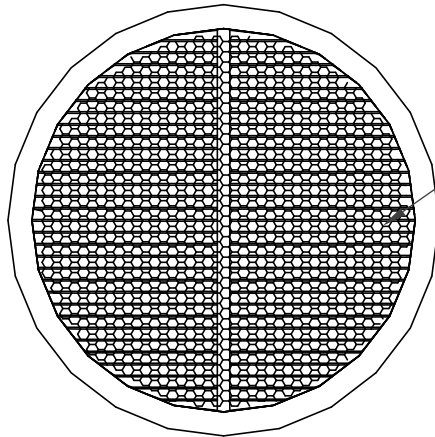
TOP VIEW



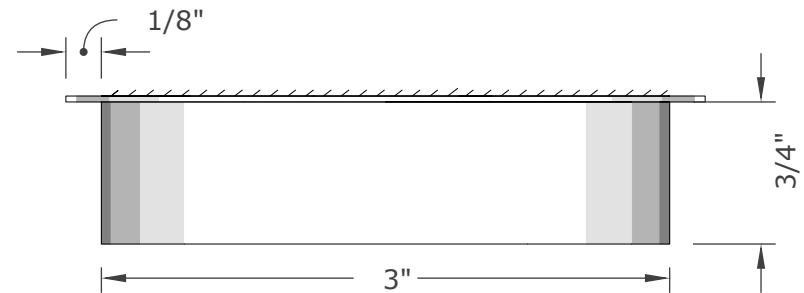
Intumescent Core



ISOMETRIC VIEW



BOTTOM VIEW



SIDE VIEW

VER3 PRODUCT SPECIFICATION & DATA SHEET

Proudly Manufactured By: **NEW CAL METALS INC.**
www.newcalmetals.com

Model Description	Round Eave Vent	Flange Type	Flange Front	Frame & Flange	Aluminum - 9020
Model Number	VER3	Face Type	Louvered	Intumescent Core	5mm Hexagonal Matrix - Aluminum with intumescent coating
Model Size	3" x 3"	NFVA	2 sq. in.		

